

**ShowerSelect**  
**Thermostat HighFlow for concealed installation**  
 Surfaces: **Chrome** Article Number: **15760000**



### Description

**product features**

- maximum flow rate at 3 bar: 42 l/min
- flow rate upper outlet: 42 l/min
- flow rate lower outlet: 42 l/min
- thermostat cartridge
- safety lock at 40 °C
- temperature limitation adjustable
- connection type: basic set
- min. operating pressure: 1 bar
- max. operating pressure: 10 bar
- dirt filter included

### Design awards



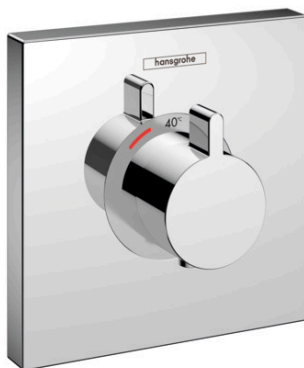
reddot winner 2021



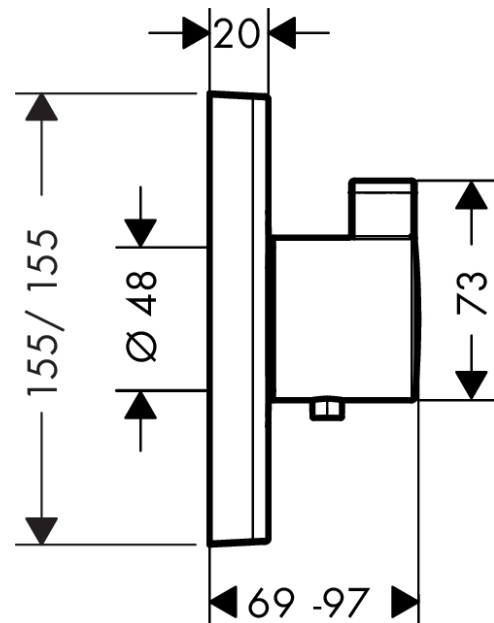
### Certificates



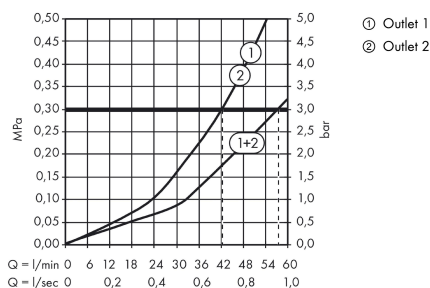
### Product image



### Scale drawing



### Flowchart

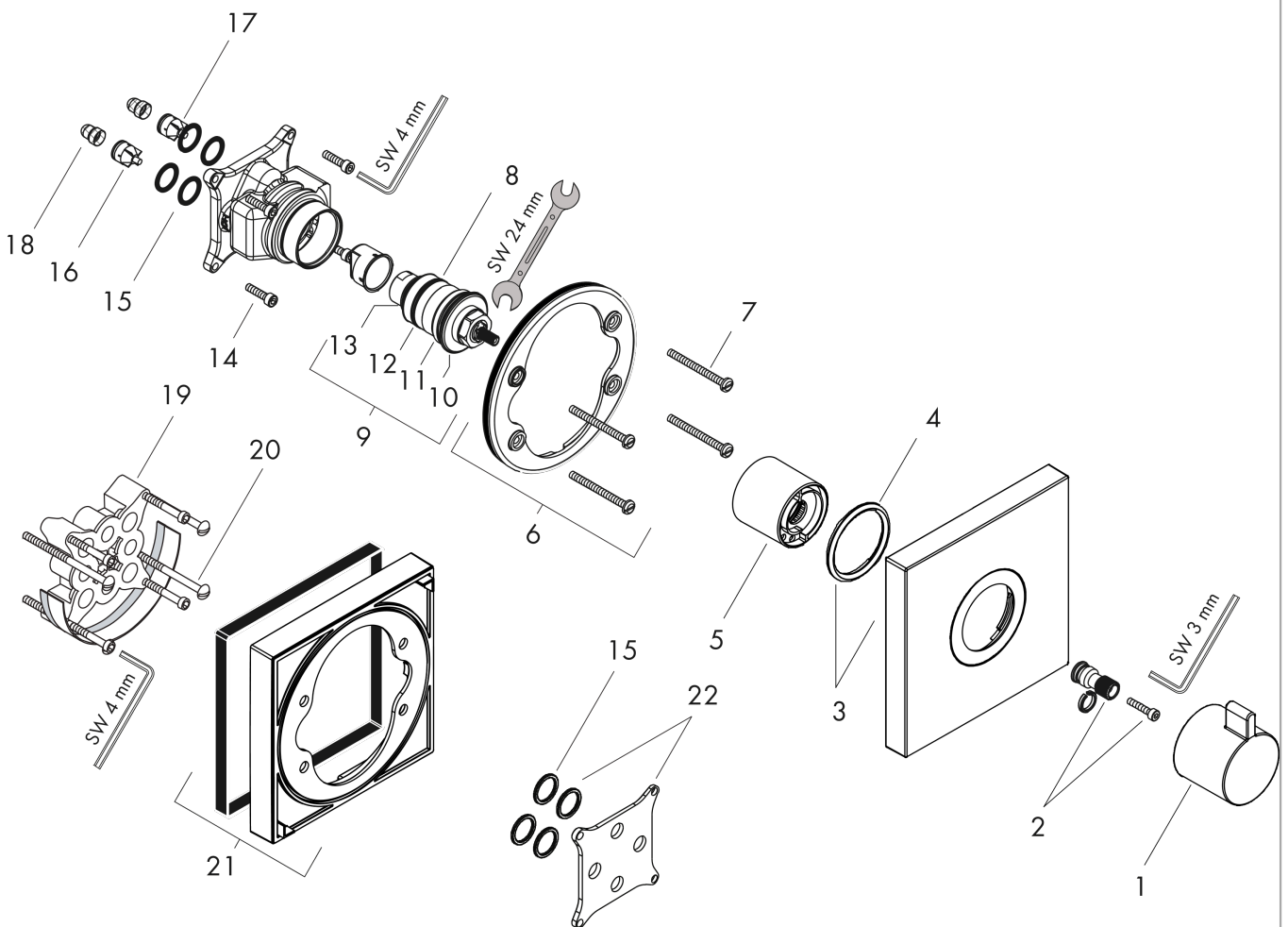


**ShowerSelect**  
**Thermostat HighFlow for concealed installation**  
 Surfaces: **Chrome** Article Number: **15760000**



**Exploded Drawing**

Year of production: >08/16



**ShowerSelect**  
**Thermostat HighFlow for concealed installation**  
 Surfaces: **Chrome** Article Number: **15760000**



## Spare part list

Year of production: >08/16

Pos.	Description	Article Number	Price	PU
1	handle for thermostat	98474000	€ 57,12	1
2	adapter for handle	96435000	€ 18,33	1
3	escutcheon 155 / 155 mm	98473000	€ 162,08	1
4	O-ring 48x5	98174000	€ 3,21	1
5	sleeve	97439000	€ 35,94	1
6	holder for escutcheon	98793000	€ 35,94	1
7	set of fixing screws	96454000	€ 8,45	1
8	thermostat cartridge	96633000	€ 124,95	1
9	sealing set	96636000	€ 44,63	1
10	O-ring 43x1,5	98148000	€ 3,21	1
11	O-ring 38x2,5	98198000	€ 5,24	1
12	O-ring 34x2	98383000	€ 5,24	1
13	O-ring 26x2	98147000	€ 3,21	1
14	set of screws	96525000	€ 8,45	1
15	O-ring 16x2	98133000	€ 3,21	1
16	non return valve (pressure-resistant up to 2 MPa)	93444000	€ 28,20	1
17	set of non return valves DW 15	97350000	€ 18,33	1
18	filter	98513000	€ 3,21	1
19	extension 25 mm	13595000	-	1
20	set of fixing screws	97747000	€ 3,21	1
21	extension 22 mm	13593000	€ 59,62	1
22	compensation set 1°	95521000	€ 162,08	1
a	concealed item	01800180	-	1
b	extension 22 mm	97407000	-	1
c	escutcheon 170 / 170 mm	92663000	€ 329,87	1